



ARCEL High Performance Resilient Inner Pack

For maximum protection
Of furniture, electronics, Equipment, and machinery

Made of ARCEL, a versatile foam that can be easily adapted to an endless array of applications.

Strong, durable.

Long reusability

Resists tears and punctures & does not easily crack or flake.

Clean

Safe

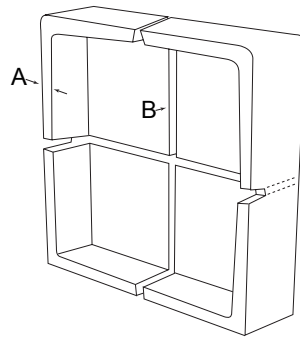
Reduces shipping costs.

Convenient

Lightweight

Recyclable

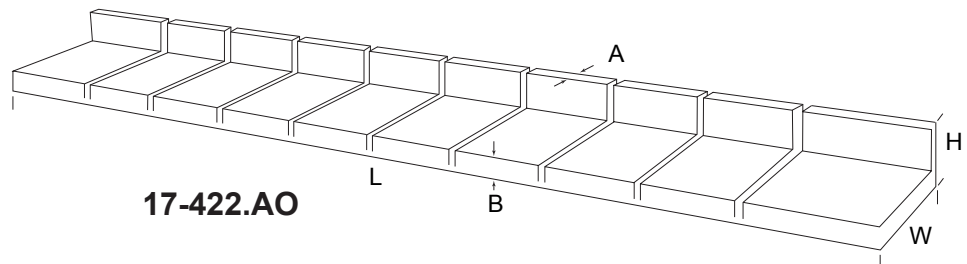
CFC-free



17-420.B0

Item Number	Dimensions			Depth	
	L"	W"	H"	A	B
17-420.B0	6.00	6.00	2.50	0.75	1.00

Molded with 4 break-off sections.



17-422.A0

Item Number	Dimensions			Depth	
	L"	W"	H"	A	B
17-422.A0	42.00	6.00	3.25	0.75	1.00
17-422.B0	42.00	6.00	2.50	0.75	1.00

Molded with break-off sections that permit the ready use of edge pad protectors.

For more information, quotes, volume discounts, or custom-made inner packs, please call or email our sales department.

604 17th Street - Radford, VA 24143
(800) 35-RADVA ~ (540) 639-9091 ~ fax: (540) 731-3731
www.radva.com ~ salesgroup@radva.com

